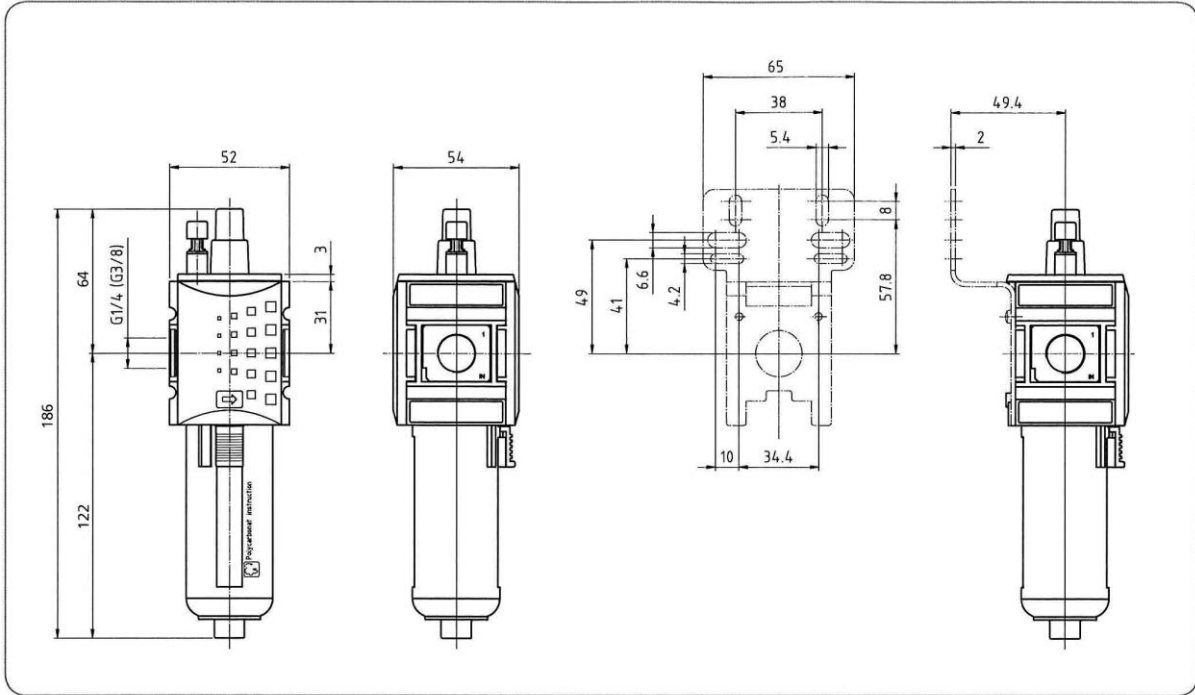
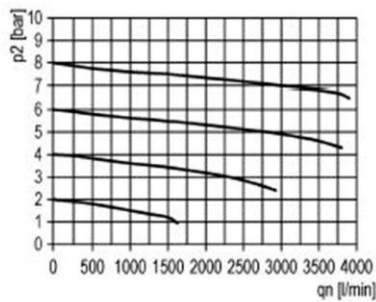




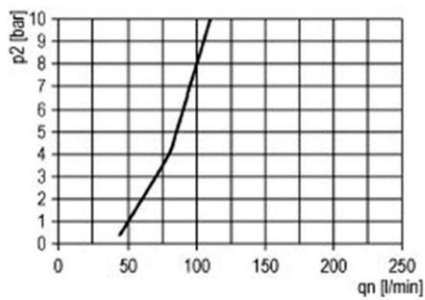
dimensions (mm)



pressure characteristic



lubricator operating limit



accessories 2

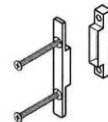
mounting bracket with screws



metal bowl with level indicator



coupling kit



coupling kit wall mounting

